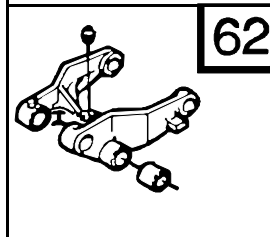
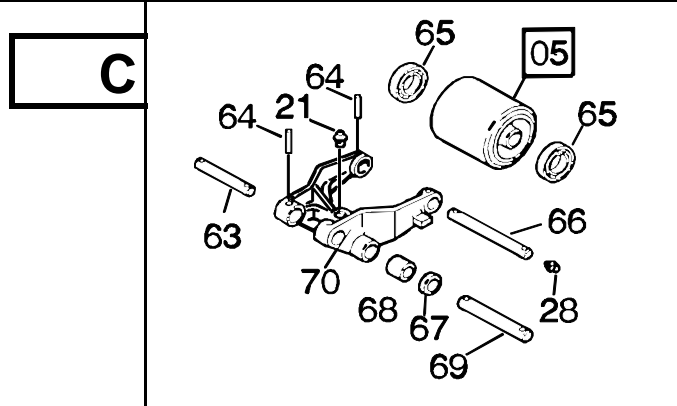
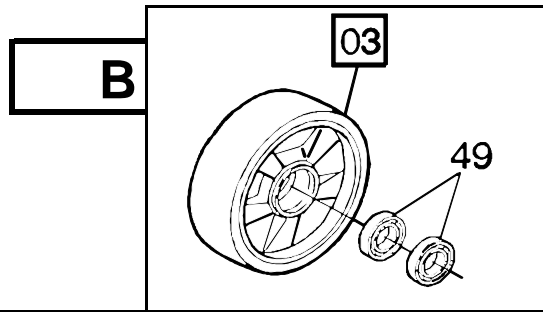
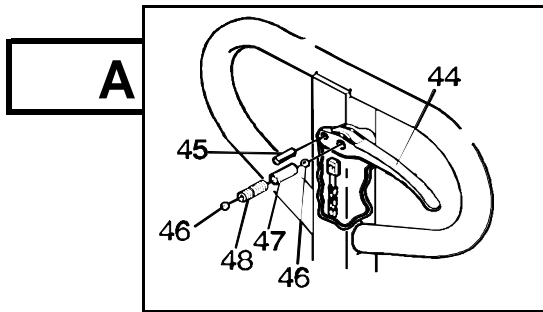
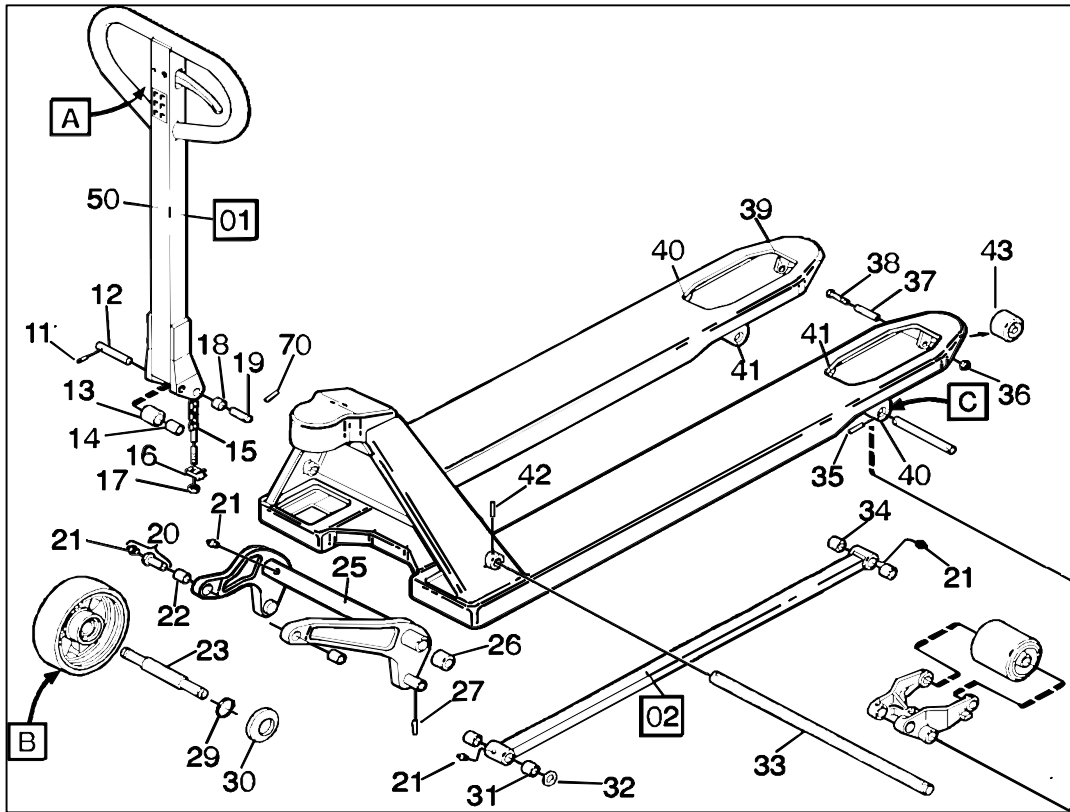


# Model L45-SS Hand Pallet Truck

**LIFTRITE**<sup>®</sup>  
Frame Components

Stainless Steel HPT

15-Apr-03



## Model L45-SS Hand Pallet Truck



Stainless Steel HPT

15-Apr-03

### Frame Components

Item	Description	Part number	Qty
01	Tow Bar Complete	175769	1
02	Push Rod - 48" fork	179376	2
03	Wheel Complete - Nylon	161804	2
05	Roller Complete - Nylon	167598	2
11	Locking Pin	28578	2
12	Axle	129208	1
13	Roller	165196	1
14	Bushing	22108	1
15	Valve Bar Complete	129206	1
16	Clip nut	165197	1
17	Nut	21094	1
18	Bushing	176827	2
19	Axle	49886	2
20	Arm Bolt Complete	179328	2
21	Greasing Nipple	179334	
22	Bushing	179335	2
23	Axle	49885	1
24	Axle Complete	179393	2
25	Torsion Tube - 27"wide frame	179332	1
26	Bushing	47167	2
27	Locking Pin	179415	2
28	Greasing Nipple	22410	2
29	Locking Pin	20019	2
30	Cap	156623	2
31	Bushing	30023	4
32	Washer	179327	2
33	Axle for Torsion Tube - 27" wide	51501	1
34	Bushing	47117	4
35	Locking Pin	179416	4
36	Nut	179671	2
37	Spacer	172862	2
38	Screw	179670	2
39	Clamp	179667	2
40	Ear	179326	2
41	Ear	179325	2
42	Locking Pin	179414	1
43	Wheel	47150	2
44	Handle	173765	1
45	Locking Pin	28569	1
46	Ball	166272	2
47	Sleeve	165194	1
48	Spring	165195	1
49	Bearing	162083	4

# Model L45-SS Hand Pallet Truck

# LIFTRITE®

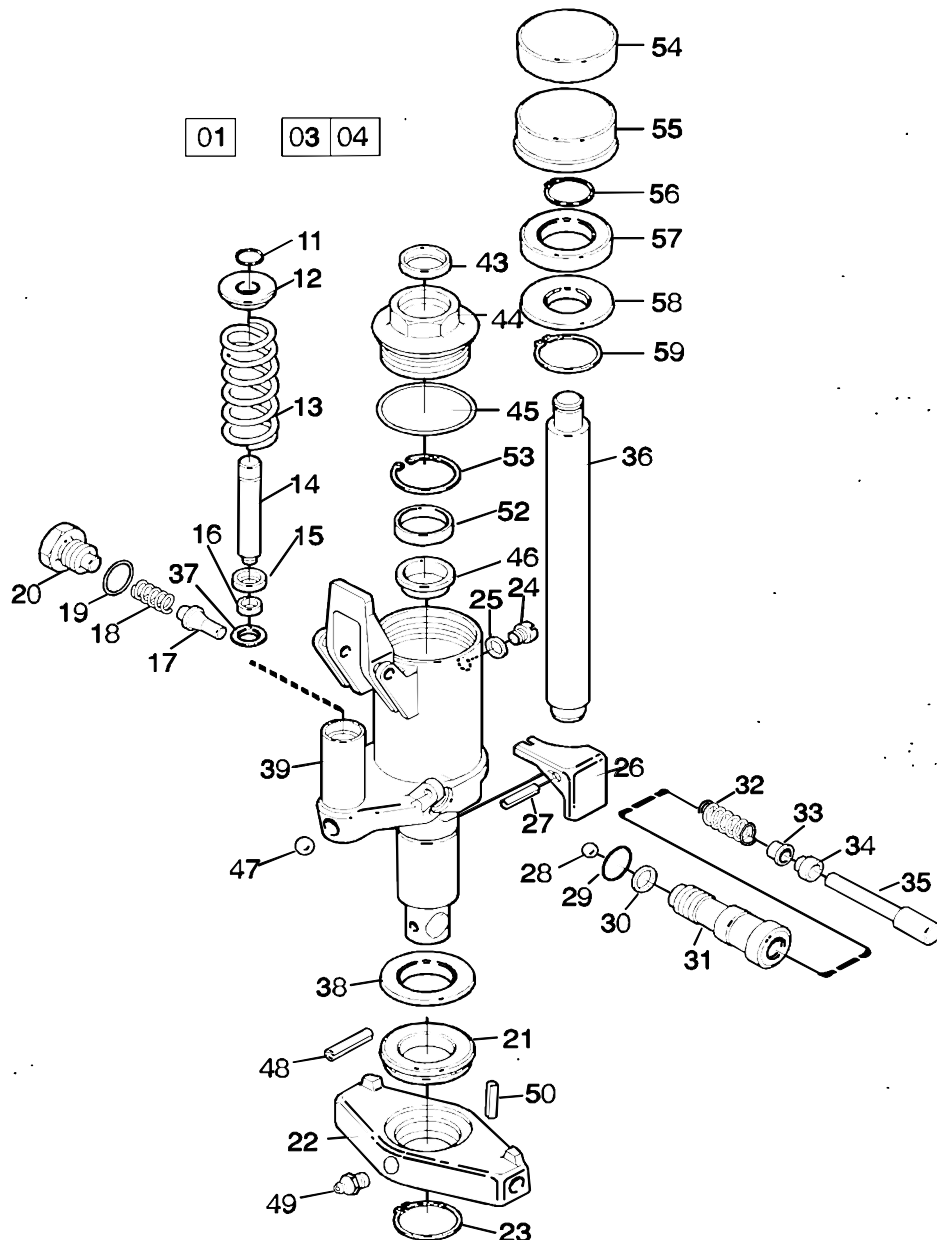
Stainless Steel HPT

15-Apr-03

## Frame Components Cont'd

Item	Description	Part number	Qty
50	Tow Bar	177115	1
62	Wheel Fork	179387	2
63	Axle	179329	2
64	Locking Pin	179415	4
65	Bearing	167631	4
66	Axle	51479	2
67	Wheel	159280	4
68	Bushing	51805	4
69	Axle	131676	2
70	Locking Pin	28572	2

## Pump Components



## Model L45-SS Hand Pallet Truck



Stainless Steel HPT

15-Apr-03

### Pump Components

Item	Description	Part number	Qty
01	Hydraulic Unit Complete	179340	1
03	Packing Set (Pump Cylinder)	130784	1
04	Packing Set (Valve unit)	129882	1
11	Locking Ring	158704	1
12	Washer	49878	1
13	Spring	166241	1
14	Piston	179378	1
15	Sealing Ring	21060	1
16	U-Ring	21065	1
17	Valve Cone	47049	1
18	Spring	39106	1
19	Washer	37218	1
20	Screw	176223	1
21	Ball Bearing	179345	1
22	Pressure Plate	179346	1
23	Locking Ring	179666	1
24	Screw	179381	1
25	Washer	29932	1
26	Lowering Arm	165198	1
27	Locking Pin	166246	1
28	Ball	20065	1
29	O-Ring	22032	1
30	Washer	47050	1
31	Valve Body	179384	1
32	Spring	47071	1
33	U-Ring	22318	1
34	Guide	49513	1
35	Piston	179385	1
36	Piston	179380	1
37	Ring	137020	1
38	Washer	179342	1
39	Pump Cylinder	179379	1
43	Sealing	20066	1
44	Nut	49918	1
45	O-Ring	21024	1
46	U-Ring	22034	1
47	Ball	179383	1
48	Locking Pin	166246	1
49	Greasing Nipple	179334	1
50	Locking Pin	179414	2
52	Stay Ring	47039	1
53	Locking Ring	20101	1
54	Insert	47997	1
55	Housing	164675	1
56	Locking Ring	179412	1
57	Ball Bearing	166257	1
58	Washer	47995	1
59	Locking Ring	28571	1